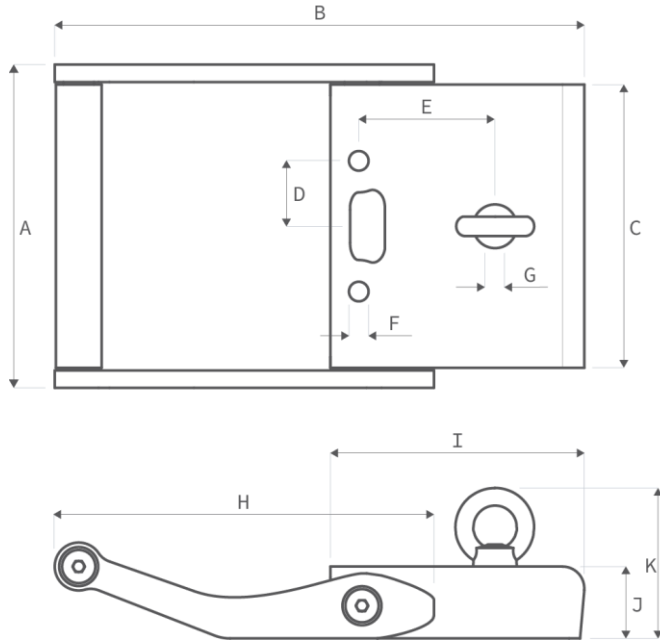


Technical Specification

Willy



| | 500 kg 1100 lbs | 800 kg 1750 lbs |
|----------|--------------------|--------------------|
| A | 146 mm | 166 mm |
| B | 239 mm | 276 mm |
| B folded | 170 mm | 195 mm |
| C | 128 mm | 147 mm |
| D | 30 mm | |
| E | 62.5 mm | |
| F | Ø9 mm | |
| G | Ø9 mm | Ø11 mm |
| H | 170 mm | 195 mm |
| I | 115 mm | 123 mm |
| J | 34 mm | 36 mm |
| K | 72 mm | 117 mm |

| | 500 kg (1100 lbs) | 800 kg (1750 lbs) |
|----------------------------|-----------------------------------|-------------------|
| Net weight in air | 3.1 kg (6.9 lbs) | 4.4 kg (9.7 lbs) |
| Net weight in water | 2.6 kg (5.7 lbs) | 3.3 kg (7.4 lbs) |
| Holding force ¹ | 500 kg (1100 lbs) | 800 kg (1750 lbs) |
| Eye nut size | M8 | M10 |
| Case dimensions | 332x280x130 mm (13.1"x11.0"x5.1") | |
| Shipping weight | 5.9 kg (13.0 lbs) | 7.2 kg (15.9 lbs) |

¹Measured perpendicularly on a 30 mm mild steel plate

| Part | Material |
|----------------------------------|-----------|
| Housing and lever | AISI 304 |
| Fasteners | AISI 304 |
| Magnetic elements (encapsulated) | NdFeB N42 |
| Conductive elements | AISI 430 |

BLUMAGS

Blumags by Apex Technology AS
Oslo, Norway
Org. No. 924 362 170
hi@blumags.com
www.blumags.com