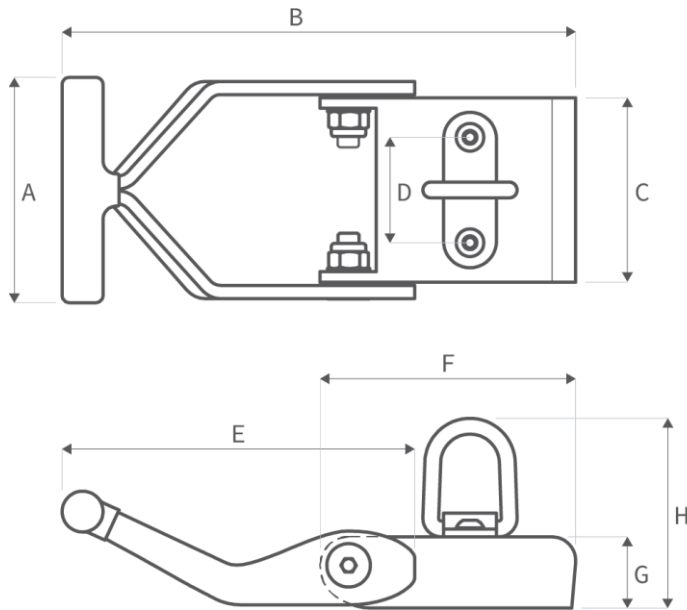


Technical Specification

Flipper



A	194 mm
B	194 mm
B folded	133 mm
C	70 mm
D	40 mm
E	133 mm
F	97 mm
G	27 mm
H	72 mm

Net weight in air	1.3 kg (2.9 lbs)
Net weight in water	1.1 kg (2.4 lbs)
Holding force ¹	100 kg (220 lbs) or 250 kg (550 lbs)
Rigging point fastener size	2 x M6
Case dimensions	187 mm x 120 mm x 90 mm (7.36" x 4.72" x 3.54")
Shipping weight	1.6 kg (3.5 lbs)

¹Measured perpendicularly on a 30 mm mild steel plate

Part	Material
Housing and lever	AISI 304
Fasteners	AISI 304
Magnetic elements (encapsulated)	NdFeB N35 (100 kg / 220 lbs) NdFeB N52 (250 kg / 550 lbs)
Conductive elements	AISI 430

BLUMAGS

Blumags by Apex Technology AS
Oslo, Norway
Org. No. 924 362 170
hi@blumags.com
www.blumags.com